

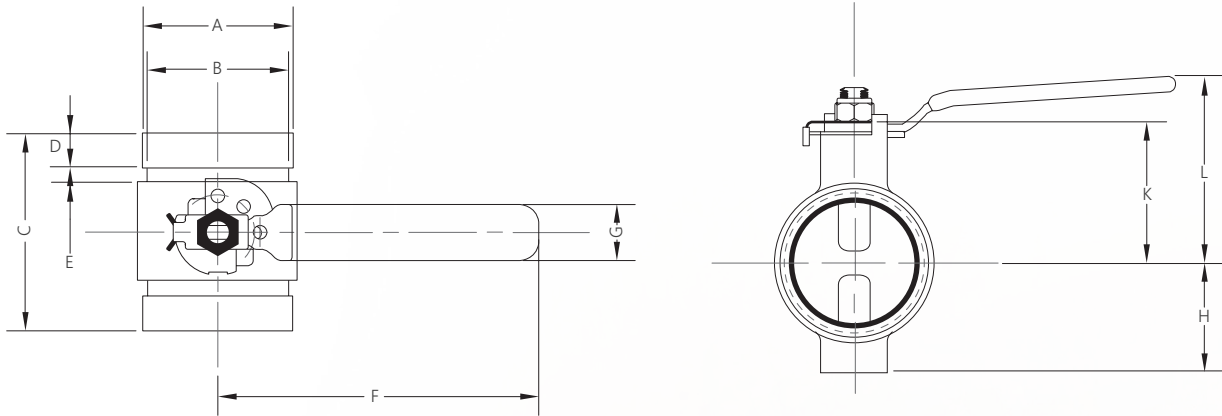
# BUTTERFLY VALVE

## Low Profile Lever Type Handle - Grooved



- Connections: Grooved Ends (AWWA C606)
- Sizes: 2, 2-1/2", 3", 4", 6", 8"
- Maximum Working Pressure: 300PSI (Max. Test Pressure: 450PSI)
- Maximum Working Temperature: 250oF (120oC)
- Application: Indoor and Outdoor Use

Features a short stem and typically isn't used where insulation exceeding 1" is required.



### Cross Reference:

Victaulic 700  
Shurjoint SJ200  
Gruvlok 7600  
Gruvlok B8101

Components	Material
Body	Ductile Iron, Epoxy Coated
Disc	Ductile Iron, EPDM
Stem	Stainless Steel
Latch Plate	Steel, Zinc Plated with 3-position lock-out.
Handle	Carbon Steel, Epoxy Coating or Casting

### DIMENSIONS

Item #	SIZE	A	B	C	D	E	F	G	H	K	L	WEIGHT
6520228-020	2"	2.4"	2.3"	3.4"	0.6"	0.3"	6.0"	1.0"	1.8"	2.0"	3.2"	5.0 lbs.
6520228-025	2-1/2"	2.9"	2.8"	3.8"	0.6"	0.4"	6.0"	1.0"	2.1"	2.4"	3.6"	7.0 lbs.
6520228-030	3"	3.6"	3.4"	3.8"	0.6"	0.4"	8.4"	1.0"	2.6"	2.7"	4.3"	8.0 lbs.
6520228-040	4"	4.6"	4.4"	4.6"	0.6"	0.4"	8.4"	1.0"	3.3"	3.3"	4.9"	12.0 lbs.
6520228-060	6"	6.7"	6.6"	5.3"	0.6"	0.4"	12.3"	1.3"	4.4"	4.4"	7.0"	19.0 lbs.
6520228-080	8"	8.6"	8.4"	5.8"	0.7"	0.4"	12.3"	1.3"	5.4"	5.4"	8.0"	34.0 lbs.

System No.		Location		Spec Section		Paragraph	
Submitted By		Date		Approved		Date	