

# GROOVED FLANGE ADAPTER NIPPLES

## Model 802



The Model 007A1 Flange Adapter allows for direct connection of a grooved system to ANSI class 12/150 flanged components

### Pipe Material

- Carbon steel, Schedule 10, Schedule 40.  
For use with alternative materials and wall thicknesses please contact ARGCO.

### Maximum Working Pressure

- Up to 300 psi/17 bar

### Function

- Joins carbon grooved pipe system to flange components

### CERTIFICATIONS/LISTINGS

Underwriters Laboratories, Underwriters Laboratories Canada, Factory Mutual.

### SPECIFICATIONS - MATERIAL

**Housing Sections:** Ductile Iron conforming to ASTM A 536, Grade 65-45-12.

### Housing Coating:

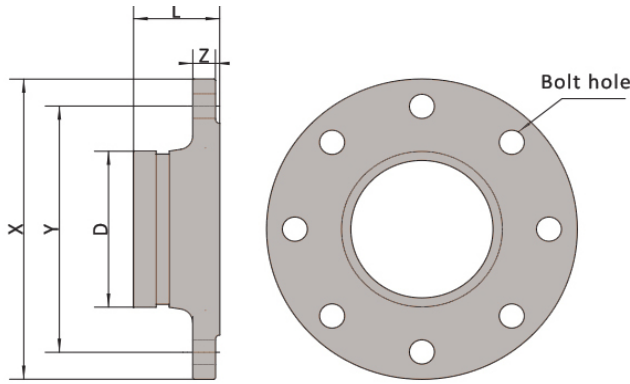
Standard: Hot Dipped Galvanized

Available: Orange Enamel

|              |  |          |  |              |  |           |  |
|--------------|--|----------|--|--------------|--|-----------|--|
| System No.   |  | Location |  | Spec Section |  | Paragraph |  |
| Submitted By |  | Date     |  | Approved     |  | Date      |  |

# GROOVED FLANGE ADAPTER NIPPLES

## Model 802



| Item #   | Nominal Size<br>in/mm | Pipe O.D.<br>in/mm | Max. Working<br>Pressure<br>PSI/Bar | Dimensions        |                   |                   |                   | Bolt Holes<br>No. | Bolt Size<br>in/mm |
|----------|-----------------------|--------------------|-------------------------------------|-------------------|-------------------|-------------------|-------------------|-------------------|--------------------|
|          |                       |                    |                                     | X<br>inches<br>mm | Y<br>inches<br>mm | Z<br>inches<br>mm | L<br>inches<br>mm |                   |                    |
| 7012630A | 2                     | 2.375              | 300                                 | 6.10              | 4.74              | 0.63              | 2.56              | 4                 | 5/8                |
|          | 50                    | 60.3               | 20                                  | 155               | 120.5             | 16                | 65                | 4                 | M16                |
| 7010630  | 2-1/2                 | 2.875              | 300                                 | 7.09              | 5.51              | 0.63              | 2.56              | 4                 | 5/8                |
|          | 65                    | 73.0               | 20                                  | 180               | 140               | 16                | 65                | 4                 | M16                |
| 7010631  | 3                     | 3.50               | 300                                 | 7.48              | 6.02              | 0.71              | 2.65              | 4                 | 5/8                |
|          | 80                    | 88.90              | 20                                  | 190               | 153               | 18                | 65                | 4                 | M16                |
| 7010632  | 4                     | 4.50               | 300                                 | 9.06              | 7.52              | 0.87              | 2.76              | 8                 | 5/8                |
|          | 100                   | 114.30             | 20                                  | 230               | 191               | 22                | 70                | 8                 | M16                |
| 7010633  | 5                     | 5.563              | 300                                 | 10.04             | 8.50              | 0.87              | 2.76              | 8                 | 3/4                |
|          | 125                   | 141.3              | 20                                  | 255               | 216               | 22                | 70                | 8                 | M20                |
| 7010634  | 6                     | 6.625              | 300                                 | 11.02             | 9.49              | 0.87              | 2.76              | 8                 | 3/4                |
|          | 150                   | 168.30             | 20                                  | 280               | 241               | 22                | 70                | 8                 | M20                |
| 7010635  | 8                     | 8.625              | 300                                 | 13.58             | 11.77             | 0.98              | 3.15              | 8                 | 3/4                |
|          | 200                   | 219.1              | 20                                  | 345               | 299               | 25                | 80                | 8                 | M20                |
| 7010636  | 10                    | 10.75              | 300                                 | 15.94             | 14.25             | 1.02              | 3.35              | 12                | 1                  |
|          | 250                   | 273                | 20                                  | 405               | 362               | 26                | 85                | 12                | M24                |
| 7010637  | 12                    | 12.75              | 300                                 | 19.09             | 17.01             | 1.10              | 3.54              | 12                | 1                  |
|          | 300                   | 323.9              | 20                                  | 485               | 432               | 28                | 90                | 12                | M24                |

### User Responsibility for Product Selection and Suitability

Each user bears final responsibility for making a determination as to the suitability of ARGCO products for a particular end-use application, in accordance with industry standards and project specifications, and the applicable building codes and related regulations as well as ARGCO performance, maintenance, safety, and warning instructions. Nothing in this or any other document, nor any verbal recommendation, advice, or opinion from any ARGCO employee, shall be deemed to alter, vary, supersede, or waive any provision of Allied Rubber and Gasket Company's standard conditions of sale, installation guide, or this disclaimer.

### Note

All products to be installed in accordance with current ARGCO installation/assembly instructions. ARGCO reserves the right to change product specifications, designs and standard equipment without notice and without incurring obligations.

### Installation

Reference should always be made to the ARGCO installation instructions of the product you are installing.

### Warranty

Refer to the Warranty section of the current Price List or contact ARGCO for details.

|              |  |          |  |              |  |           |  |
|--------------|--|----------|--|--------------|--|-----------|--|
| System No.   |  | Location |  | Spec Section |  | Paragraph |  |
| Submitted By |  | Date     |  | Approved     |  | Date      |  |