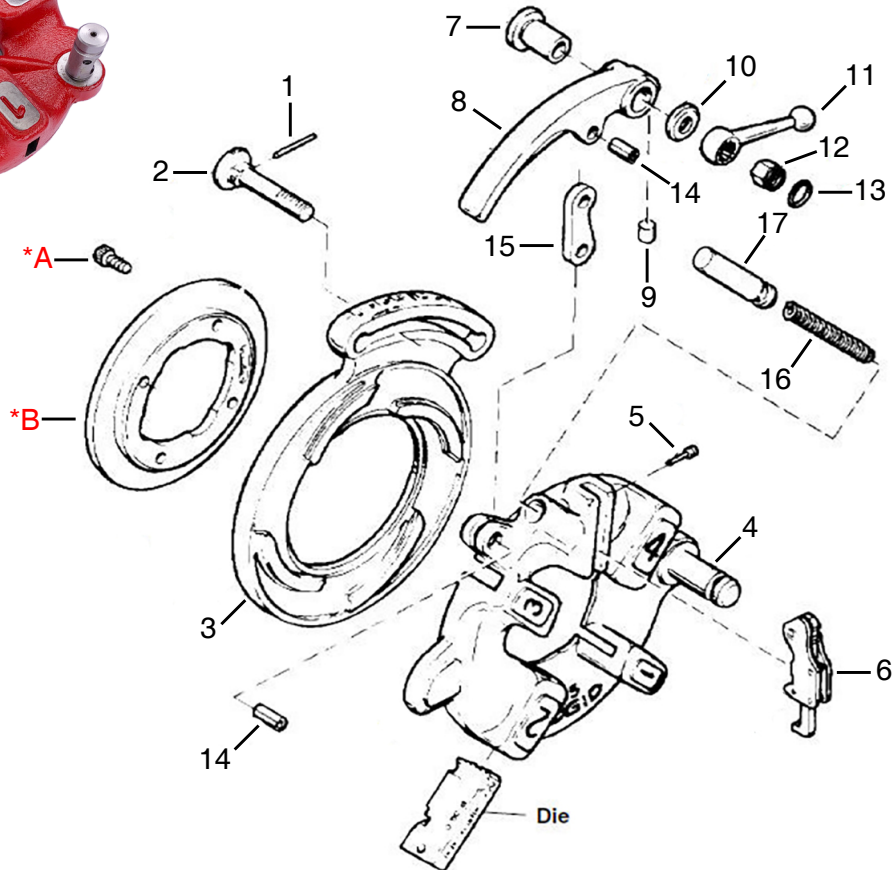


REPLACEMENT PARTS

ARGCO 815A SELF OPENING UNIVERSAL DIE HEAD

ITEM #3302410



DESCRIPTION	REF. #	ITEM #
1: Pin	(45050)	3302410-02
2: Lock Screw	(44235)	3302410-03
3: Cam Plate	(40942)	3302410-05
4: Head W/Post	(40932)	3302410-06
5: Trigger Screw	(44290)	3302410-07
6: Trigger Complete	(44285)	3302410-08
7: Bushing	(44240)	3302410-10
8: Throw-out Lever	(43830)	3302410-11
9: Insert	(45055)	3302410-12

DESCRIPTION	REF. #	ITEM #
10: Washer	(44245)	3302410-13
11: Clamp Lever	(44260)	3302410-14
12: Nut	(44250)	3302410-15
13: Block Ring	(44255)	3302410-16
14: Roll Pin (pack of 2)	(44270)	3302410-17
15: Throw-out Link	(44265)	3302410-18
16: Spring	(11565)	3302410-19
17: Throw-out Plunger	(44275)	3302410-20

DESCRIPTION	REF. #	ITEM #
A: Screw (pack of 4)	(32205)	3302401
B: Retaining Ring	(97020)	3302402

*A and *B compatible with 811A and 815A die heads.