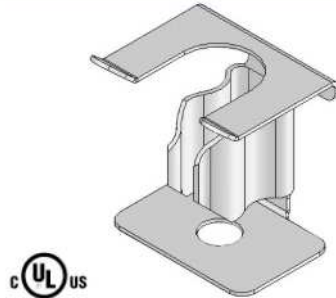


SURGE CLIP FOR RING/LOOP HANGER

**FUNCTION:**

Designed to restrict the upward movement of activated fire sprinkler systems. Grips ring hanger, NOT THE NUT, and allows for fine tuning adjustments.

SIZE:

Pipe size 3/4" thru 2" IP.

FINISH: Powder Coating

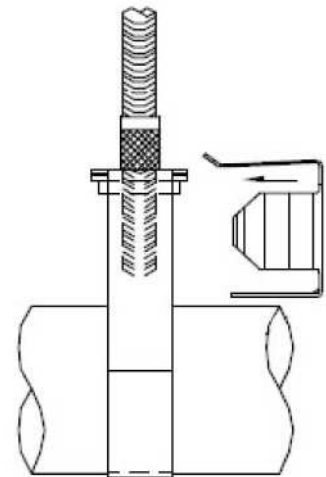
MATERIAL: Spring Steel

INSTALL: Installs easily before or after pipe installation and without tools.

Simply clip Surge Restraint onto ring/loop hanger and run the hanger rod down to the bottom plate surface to ensure proper restraint.

APPROVALS: Underwriters Laboratories listed for US and Canada

Item# 2550000



The information contained herein is produced in good faith and is believed to be reliable but is for guidance only. ARGCO and its agents cannot assume liability or responsibility for results obtained in the use of its product by persons whose methods are outside or beyond our control. It is the user's responsibility to determine the suitability of any of the products, methods of use, or preparation prior to use, mentioned in our literature. It is the user's responsibility to observe and adapt such precautions as may be advisable for the protection of personnel and property in the handling and use of any of our products.

**FOR MORE INFORMATION CALL ARGCO AT 800-854-1015
OR LOG ONTO ARGCO.COM**