

SADDLE-LET SMALL MECHANICAL TEE (THREAD)

Model 502



The Model 502 Saddle-Lets provides a direct branch connection at any location where a hole can be cut in the pipe.

- Available as female threaded outlet
 - Sizes from 1¼ – 2½” | 25 – 76.1 mm
 - Pressures up to 300 psi | 2068 kPa | 21 bar
- Provides a convenient method of incorporating outlets for directly connecting sprinklers, drop nipples, sprigs, gauges, drains and other outlet products.

No need for welding, just cut or drill a hole at the desired outlet location.

The Saddle-Let allows full bore flow and is pressure rated to 300 psi (20 bar).

Pipe Material

- Carbon steel, Schedule 10, Schedule 40.

Maximum Working Pressure

- Up to 300 psi/20 bar

Function

- Joins carbon steel pipe.
- Provides a rigid pipe joint designed to restrict axial or angular movement.

CERTIFICATIONS/LISTINGS

Underwriters Laboratories, Underwriters Laboratories Canada, Factory Mutual.

SPECIFICATIONS - MATERIAL

Housing Sections: Ductile Iron conforming to ASTM A 536, Grade 65-45-12.

Housing Coating:

Standard: Hot Dipped Galvanized

Available: Orange Enamel

Gasket:

Standard: Grade E EPDM (Type A)

ARGCO's products are listed by Underwriters Laboratories UL Canada and Approved by Factory Mutual for wet and dry (oil free air) sprinkler services within the rated working pressure.

Bolts and Nuts

Standard: Carbon Steel oval neck track bolts meeting ASTM A449 and ISO 898-1. Carbon steel hex nuts meet ASTM A563 Grade B.

Nuts and Bolts are zinc electroplated per ASTM B633 NZ/FE5, finish Type III.

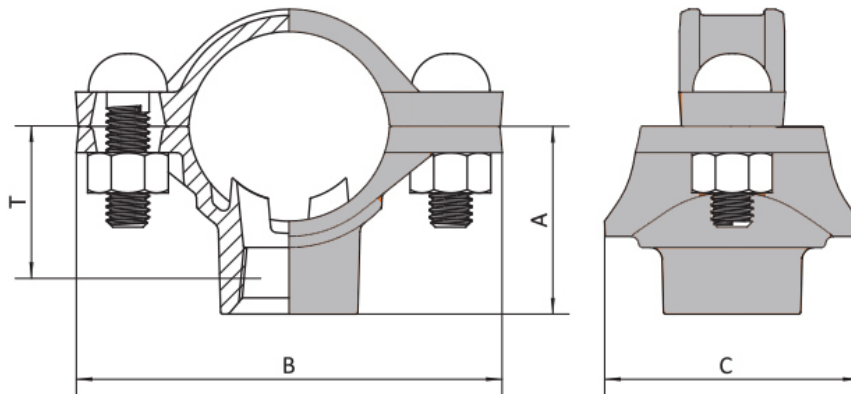
Available: Stainless Steel. Meets ASTM F593, Group 2 (316 stainless steel), condition CW.

Hex nuts meets ASTM F594, Group 2 (316 stainless steel), condition CW, with galling-resistant coating.

| | | | | | | | |
|--------------|--|----------|--|--------------|--|-----------|--|
| System No. | | Location | | Spec Section | | Paragraph | |
| Submitted By | | Date | | Approved | | Date | |

SADDLE-LET SMALL MECHANICAL TEE (THREAD)

Model 502



| Item # | Nominal Size in/mm | Hole Dia. T +0.04, -0 +1, -0 | Hole Saw Size in/mm | Dimensions | | | Take-Out T/D in/mm | Bolt Size in | Bolt Torque N-M/Lbs-Ft |
|---------|-----------------------|------------------------------------|---------------------------|-------------------|-------------------|-------------------|--------------------------|-----------------|---------------------------|
| | | | | A inches mm | B inches mm | C inches mm | | | |
| 7010300 | 1 x 1-1/2 | 0.95 | 15/16 | 1.10 | 3.66 | 1.89 | 1.14 | 3/8 | 22-29 |
| 100050 | 25 x 40 | 24 | 24 | 28 | 93 | 48 | 29 | | 30-40 |
| 7010300 | 1-1/4 x 1/2 | 1.18 | 1-3/16 | 1.77 | 3.86 | 2.56 | 1.30 | 3/8 | 22-29 |
| 125050 | 35 x 15 | 30 | 30 | 45 | 98 | 65 | 33 | | 30-40 |
| 7010300 | 1-1/4 x 3/4 | 1.18 | 1-3/16 | 1.77 | 3.86 | 2.56 | 1.28 | 3/8 | 22-29 |
| 125075 | 32 x 20 | 30 | 30 | 45 | 98 | 65 | 32.5 | | 30-40 |
| 7010300 | 1-1/4 x 1 | 1.18 | 1-3/16 | 2.13 | 3.86 | 2.20 | 1.52 | 3/8 | 22-29 |
| 125100 | 32 x 25 | 30 | 30 | 54 | 98 | 56 | 38.6 | | 30-40 |
| 7010300 | 1-1/2 x 1/2 | 1.18 | 1-3/16 | 1.89 | 3.86 | 2.20 | 1.42 | 3/8 | 22-29 |
| 150050 | 40 x 15 | 30 | 30 | 48 | 98 | 56 | 36.1 | | 30-40 |
| 7010300 | 1-1/2 x 3/4 | 1.18 | 1-3/16 | 1.89 | 3.86 | 2.20 | 1.40 | 3/8 | 22-29 |
| 150075 | 40 x 20 | 30 | 30 | 48 | 98 | 56 | 35.6 | | 30-40 |
| 7010300 | 1-1/2 x 1 | 1.18 | 1-3/16 | 2.24 | 3.86 | 2.20 | 1.64 | 3/8 | 22-29 |
| 150100 | 40 x 25 | 30 | 30 | 57 | 98 | 56 | 41.7 | | 30-40 |
| 7010300 | 2 x 1/2 | 1.18 | 1-3/16 | 2.13 | 3.86 | 2.20 | 1.66 | 3/8 | 22-29 |
| 200050 | 50 x 15 | 30 | 30 | 54 | 98 | 56 | 42.2 | | 30-40 |
| 7010300 | 2 x 3/4 | 1.18 | 1-3/16 | 2.13 | 3.86 | 2.20 | 1.64 | 3/8 | 22-29 |
| 200075 | 50 x 20 | 30 | 30 | 54 | 98 | 56 | 41.7 | | 30-40 |
| 7010300 | 2 x 1 | 1.18 | 1-3/16 | 2.44 | 3.86 | 2.20 | 1.88 | 3/8 | 22-29 |
| 200100 | 50 x 25 | 30 | 30 | 62 | 98 | 56 | 47.8 | | 30-40 |
| 7010300 | 2-1/2 x 1/2 | 1.18 | 1-3/16 | 2.40 | 3.86 | 2.20 | 1.91 | 3/8 | 22-29 |
| 250005 | 65 x 15 | 30 | 30 | 61 | 98 | 56 | 48.5 | | 30-40 |
| 7010300 | 2-1/2 x 3/4 | 1.18 | 1-3/16 | 2.40 | 3.86 | 2.20 | 1.89 | 3/8 | 22-29 |
| 250075 | 65 x 20 | 30 | 30 | 61 | 98 | 56 | 48 | | 30-40 |
| 7010300 | 2-1/2 x 1 | 1.18 | 1-3/16 | 2.80 | 3.86 | 2.20 | 2.13 | 3/8 | 22-29 |
| 250100 | 65 x 25 | 30 | 30 | 71 | 98 | 56 | 54.1 | | 30-40 |

| | | | | | | | |
|--------------|--|----------|--|--------------|--|-----------|--|
| System No. | | Location | | Spec Section | | Paragraph | |
| Submitted By | | Date | | Approved | | Date | |