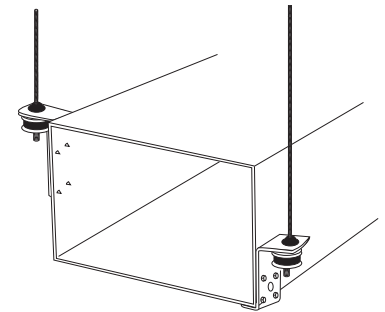


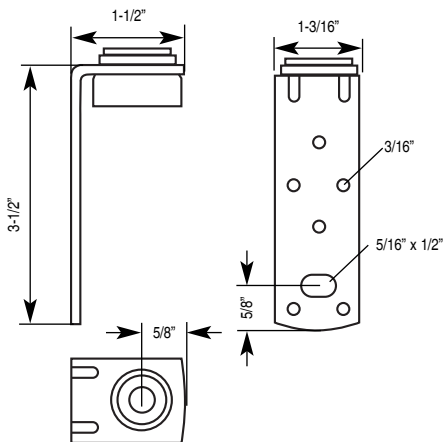
### DUCT SUPPORT ANGLE (L) DUCT, FURNACE, AIR HANDLER ISOLATION SUPPORT BRACKET



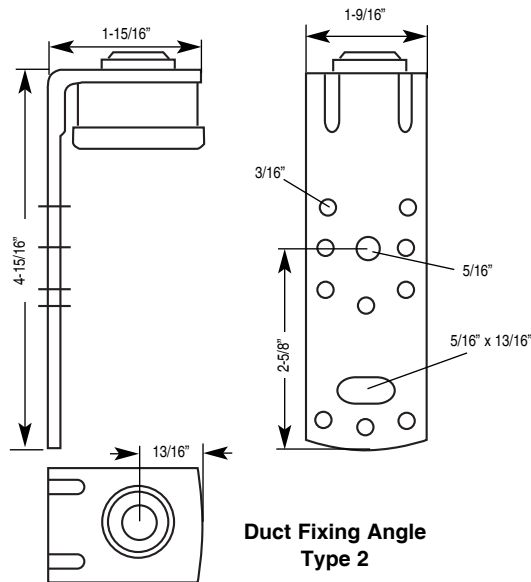
- Vertically fastens to side of beam
- Easy to install suspension for air ducts
- Rubber insulation provides sound & vibration control
- Easy alignment and height adjustment with threaded rod
- Holes to fasten to air duct with rivets, self-drilling screws or bolts
- Zinc plated steel 1/8" thick for 3/8" rod
- Ideal for hanging furnaces



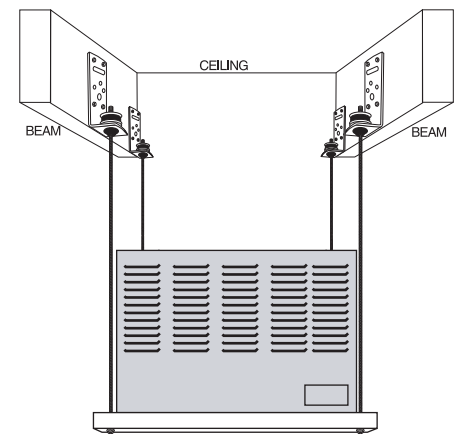
DUCT INSTALLATION



Duct Fixing Angle  
Type 1



Duct Fixing Angle  
Type 2



FURNACE INSTALLATION

Item #	DESCRIPTION	Max. Rec.Load
25-40-175	Duct Fixing Angle Type 1 (L)	52 lbs.
25-40-170	Duct Fixing Angle Type 2 (L)	180 lbs.