

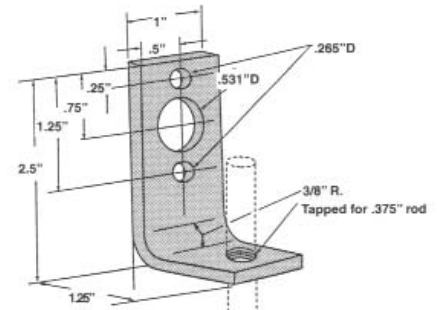
ANGLE BRACKETS

Tapped Angle Bracket

Tapped for 3/8" rod



- Size Range: 3/8" and 1/2" rod sizes
- Surface Finish: Electro-zinc plated
- Pre-threaded structural attachment fastened to wall or the side of a joist to support hanger rod
- Conforms with Federal Specification WW-H-171, Manufacturers Standardization Society ANSI/MSS-SP-58; install in accordance with ANSI/MSS-SP-69



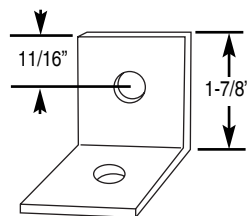
Item #	ROD SIZE	LOAD CAP. W/ LAG SCREW	LOAD CAP. W/ BOLT TO STEEL	ERICO
25-30-258A	3/8"	560#	620#	2370037EG

Angle Bracket

Designed for use with wood, steel or concrete beams to provide a means for supporting hanger rod.



- Size Range: 3/8" & 1/2" rod sizes
- Surface Finish: Electro-zinc plated, Black
- Structural attachment fastened to the wall or the side of a joist to support hanger rod
- Conforms with Federal Specification WW-H-171 (Type 35), Manufacturers Standardization Society ANSI/MSS-SP-58 (Type 34); install in accordance with ANSI/MSS-SP-69



Item #	ROD SIZE	LOAD CAP. W/ LAG SCREW	LOAD CAP. W/ BOLT TO STEEL	CROSS REFERENCE	
				TOLCO®	ERICO®
25-30-255	3/8" x 3/8"	650#	1150#	013828	3250037EG
25-30-256	1/2" x 1/2"	650#	1150#	013866	3250050EG

The information contained herein is produced in good faith and is believed to be reliable but is for guidance only. ARGCO and its agents cannot assume liability or responsibility for results obtained in the use of its product by persons whose methods are outside or beyond our control. It is the user's responsibility to determine the suitability of any of the products, methods of use, or preparation prior to use, mentioned in our literature. It is the user's responsibility to observe and adapt such precautions as may be advisable for the protection of personnel and property in the handling and use of any of our products.

**FOR MORE INFORMATION CALL ARGCO AT 1-800-854-1015
OR LOG ONTO WWW.ARGCO.COM**